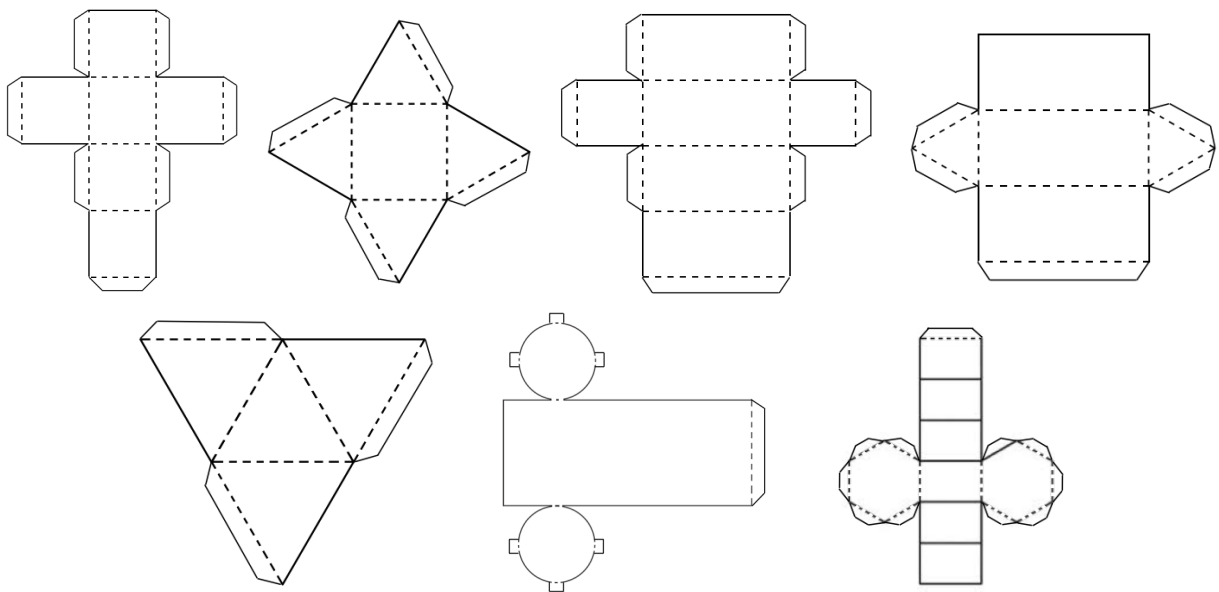


# Nets for Making 3D Solids

A net is a two dimensional plan or shape that can be folded to make a three dimensional solid. For some solids, such as the cube, there are many different nets. However, in the pages below, just one net has been provided for the cube, square pyramid, rectangular prism, triangular prism, triangular pyramid, cylinder and hexagonal prism.

Cutting out these nets, folding and gluing them to create a solid object, will help children become familiar with the features of these solids (such as their faces, edges and corners). Tabs have been included to help the children glue the solids together. (The tabs are not part of a net itself).

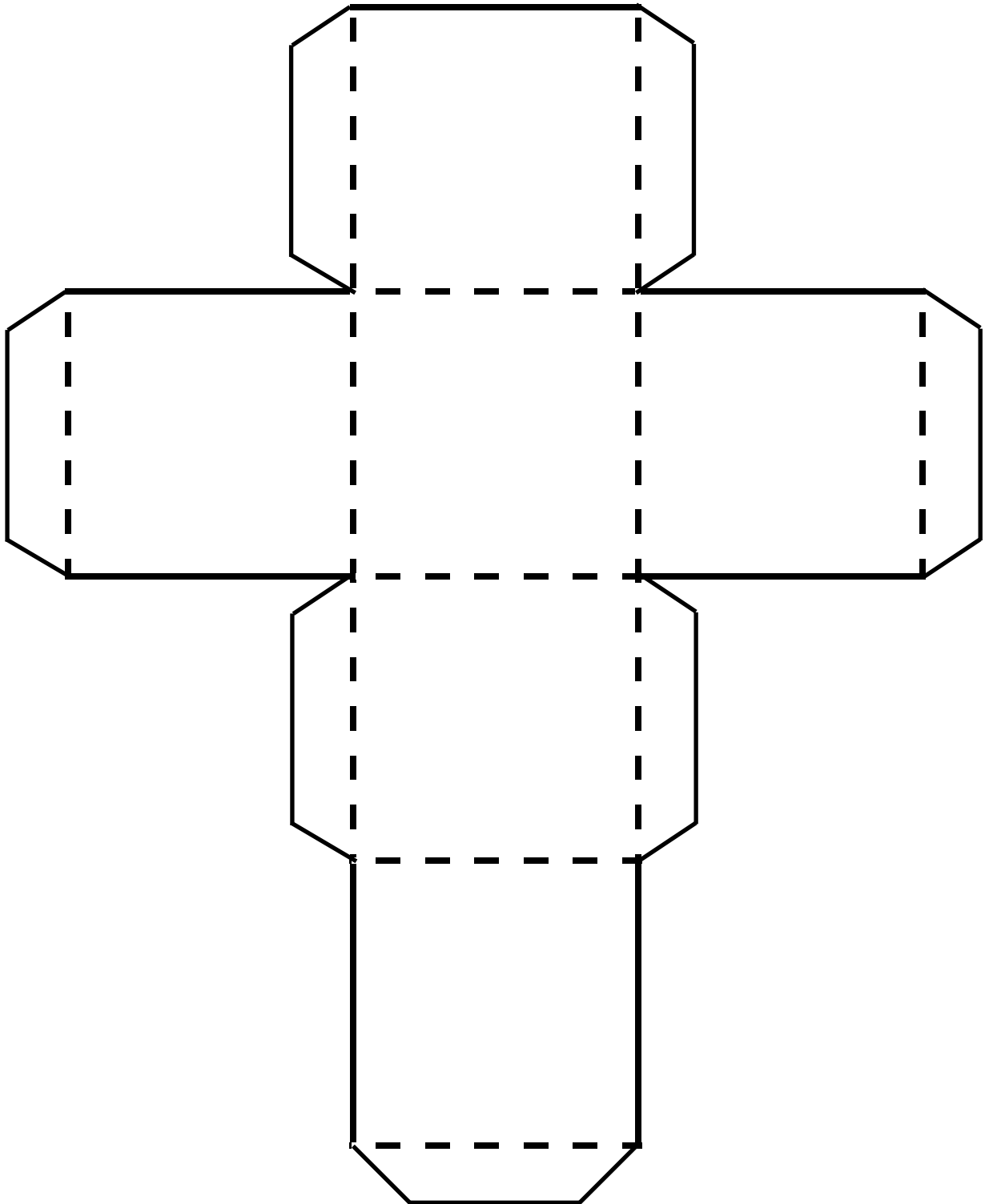
Another worthwhile activity is to cut open solids and unfold these to view a net. For example an empty tissue box could be cut open and folded out to see the net of a rectangular prism.



# A Cube

*Cut out the net below. Fold along the dotted lines. Use the tabs to glue the solid together.*

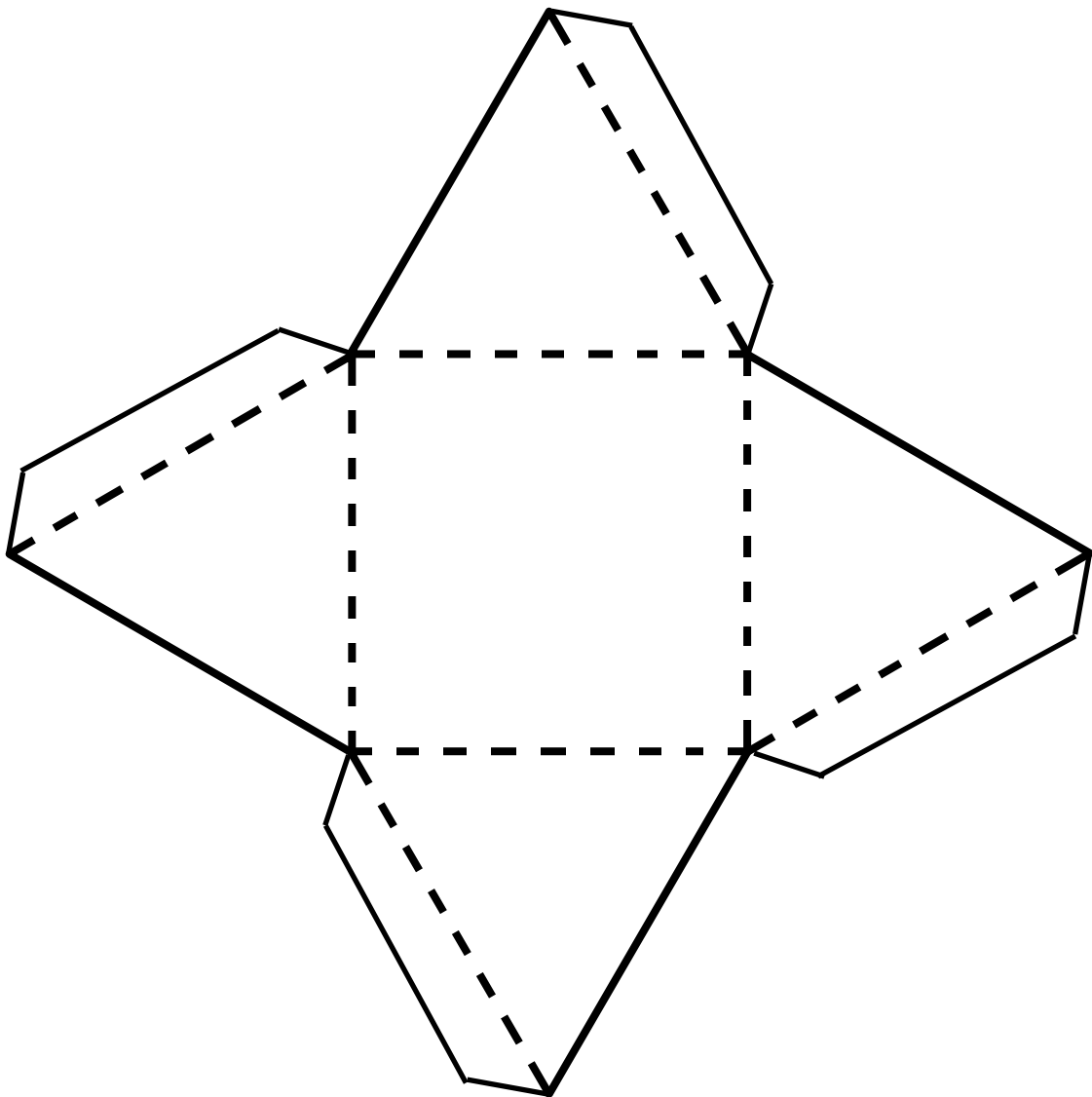
---



# A Square Pyramid

Cut out the net below. Fold along the dotted lines. Use the tabs to glue the solid together.

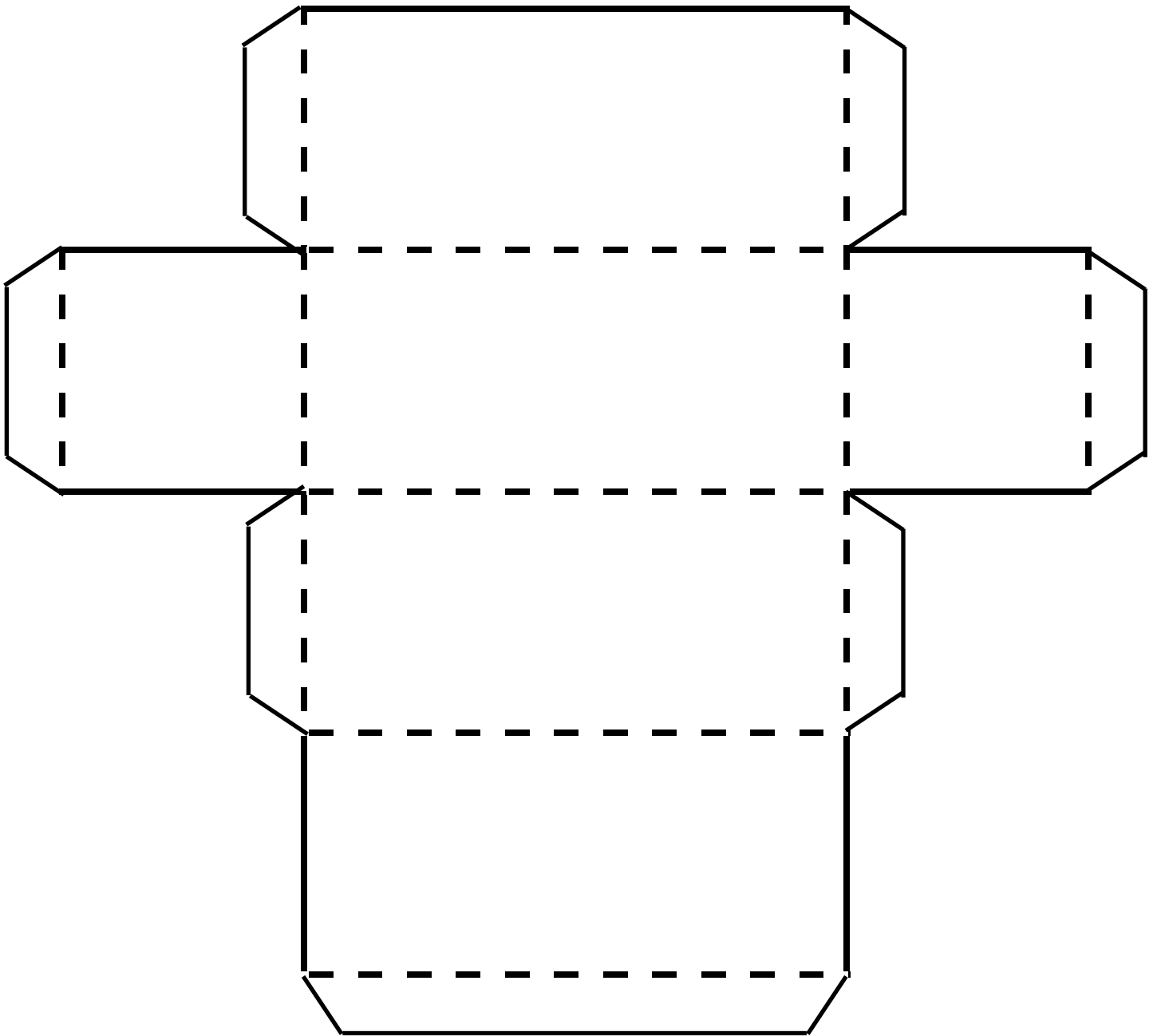
---



# A Rectangular Prism

Cut out the net below. Fold along the dotted lines. Use the tabs to glue the solid together.

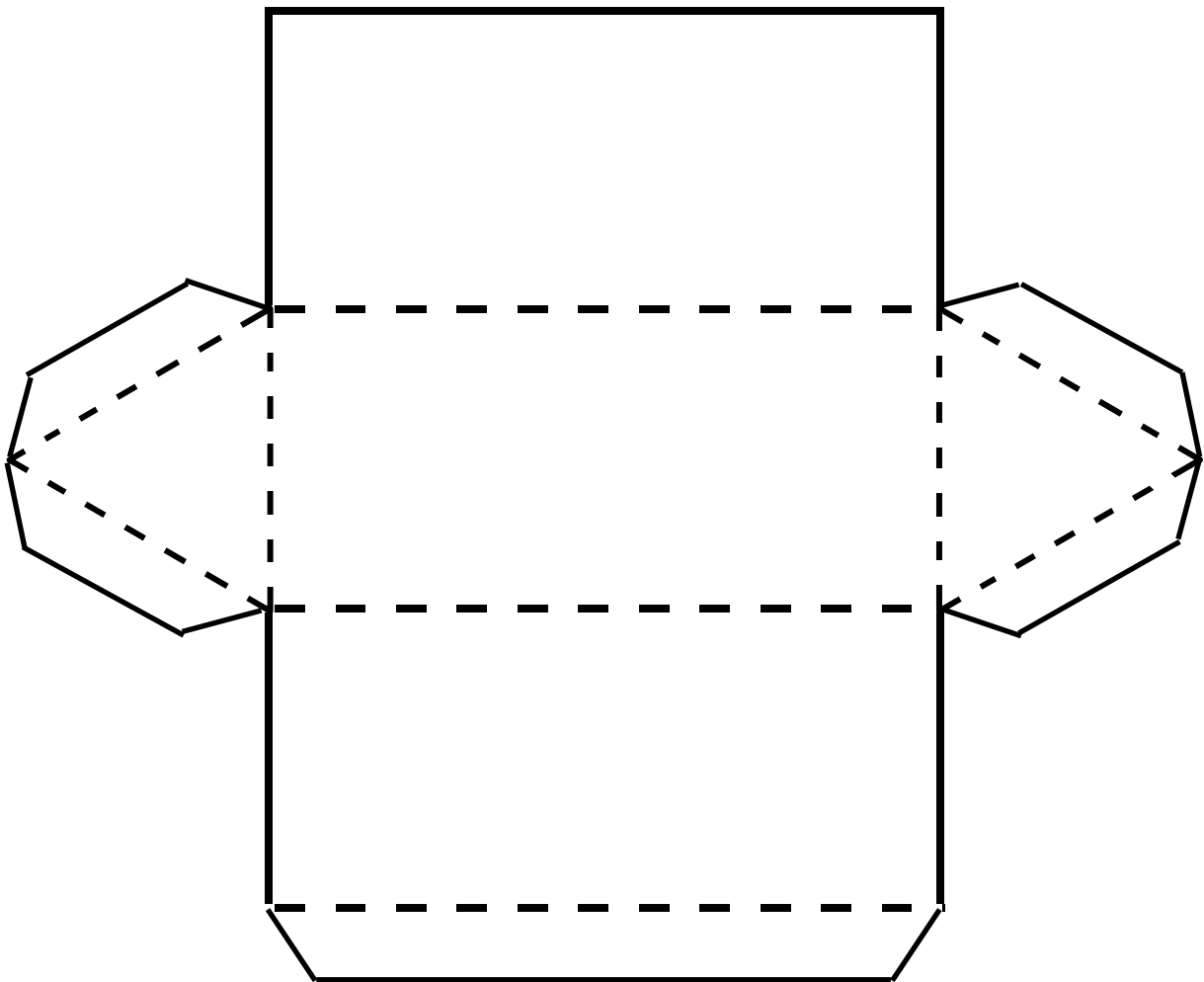
---



# A Triangular Prism

Cut out the net below. Fold along the dotted lines. Use the tabs to glue the solid together.

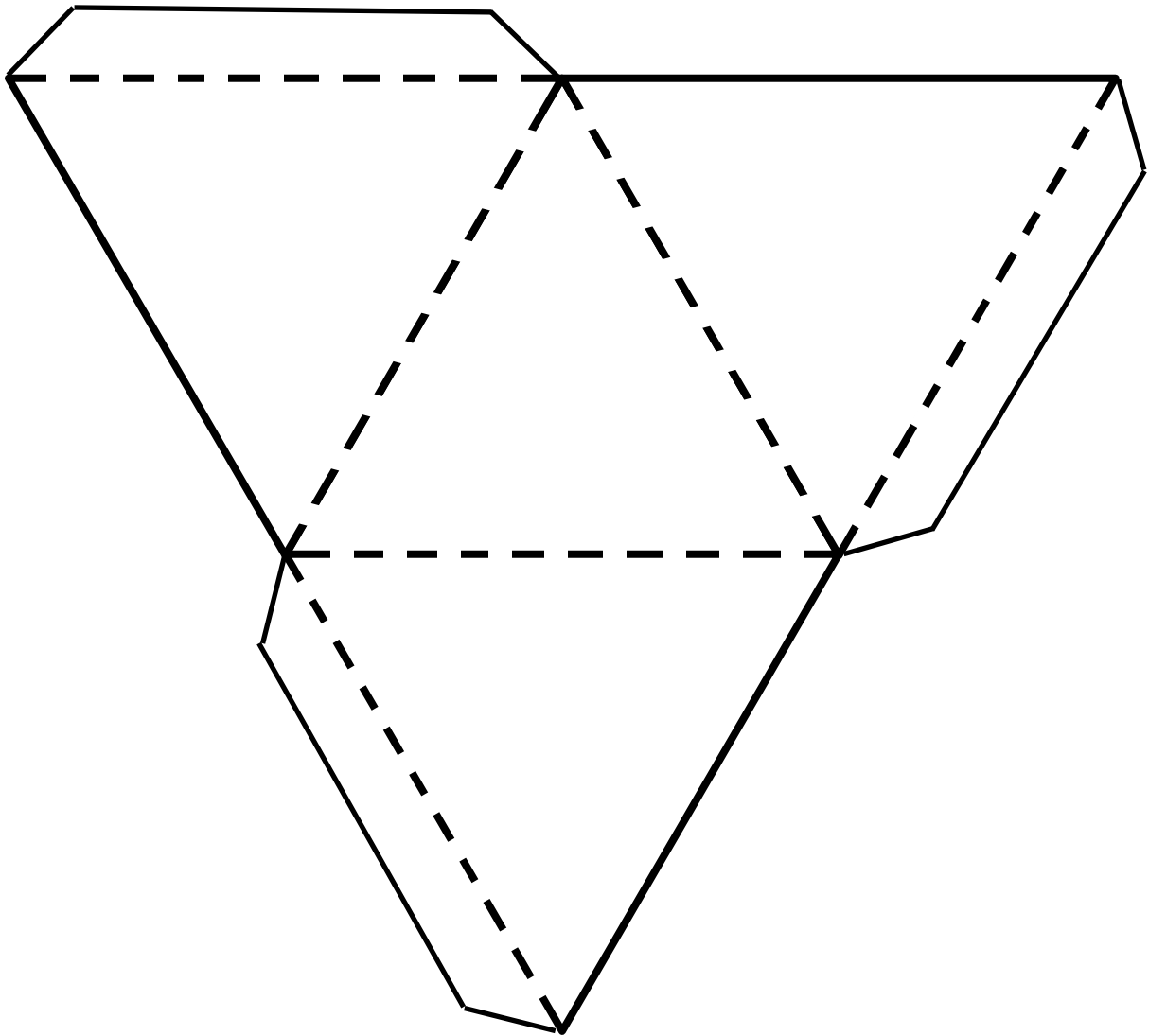
---



# A Triangular Pyramid

Cut out the net below. Fold along the dotted lines. Use the tabs to glue the solid together.

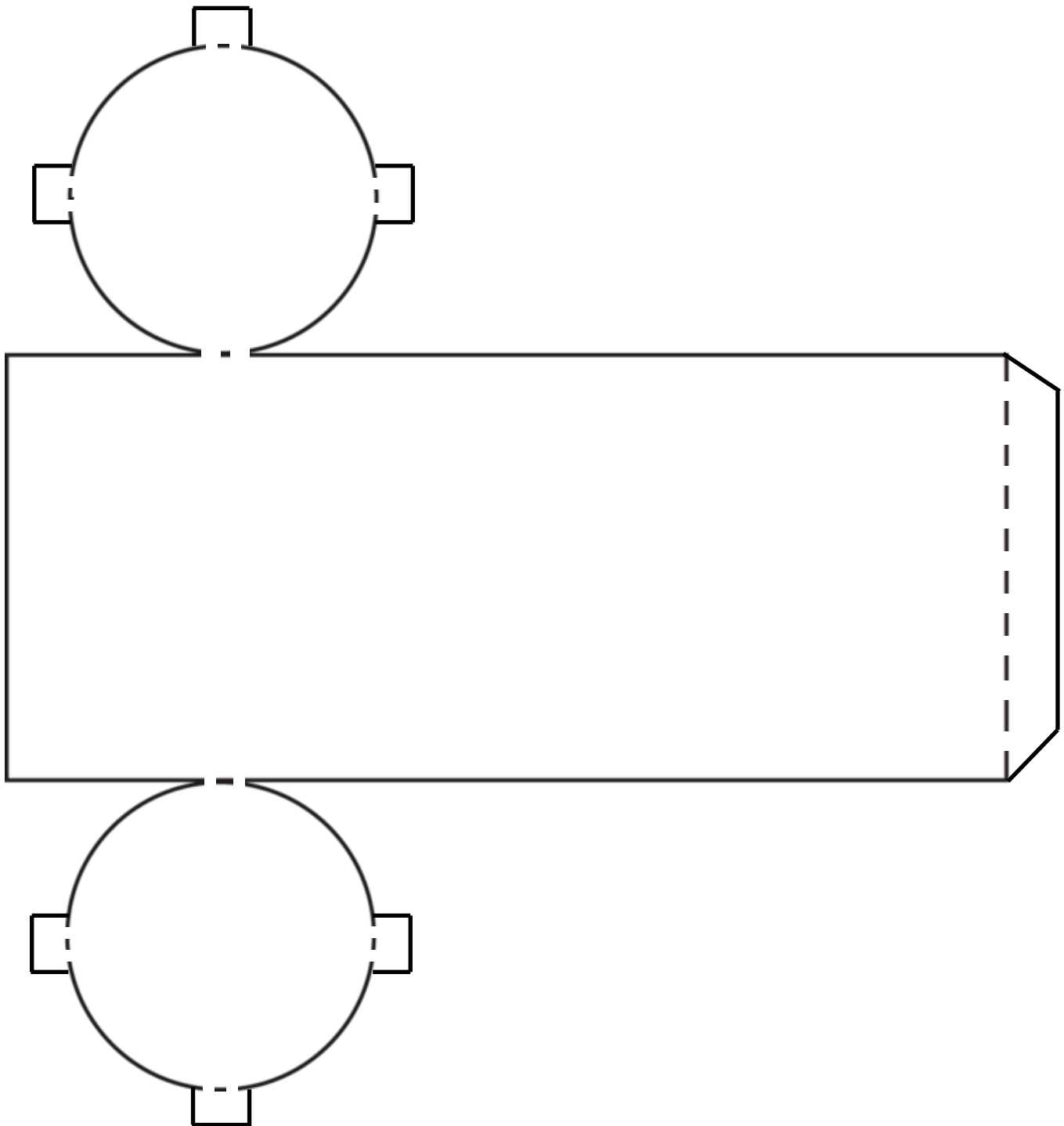
---



# A Cylinder

Cut out the net below. Fold along the dotted lines. Use the tabs to glue the solid together.

---



# A Hexagonal Prism

Cut out the net below. Fold along the dotted lines. Use the tabs to glue the solid together.

---

